

CMG

t r a n s m i s s i o n

2nd Edition
Inclusion of SLA motor



C&H SLA geared motors

High ratio inline multi-stage spur units
H1, H2, H3 Series



H1

Charles & Hunting high ratio inline multi-stage spur units range from 35 to 175Nm, speeds range from 0.016r/min to 360r/min, 0.37kW. Every C & H unit offers legendary Australian-built reliability and quality with industry proven performance.



H2

CMG's world best practices and technologies, plus our national computerised sales, spare parts and service back-up mean we can offer a total commitment to every customer. You can be sure every product

supplied by CMG's Motors, Transmission or Drives divisions.....be it electric motor,

geared motor, variable frequency drive, soft starter or one of our many other associated products.....will perform exactly to specification, and deliver reliable performance year after year with minimum maintenance and downtime. CMG's Technology division

is a recognised R & D leader offering professional engineering staff and facilities for design, testing, product, development and quality control.

As depicted in our new corporate identity, when you think Motors,

Transmission, Drives or research and development Technology.....think CMG.



H3



C&H H1,H2,H3 – high ratio, inline multi-stage, fixed and variable speed, spur geared motors 0.37 kW, 0.0032 to 360 r/min, 35 to 175 Nm

This is a CMG short form catalogue for the CMG range of C&H-SLA geared motors.

For further detailed information please refer to the nearest CMG office.

This partnership of two proven products combines our cast iron C&H spurbox with our aluminium SLA motor, providing a rugged and reliably finished product. After assembly of the two components, all C&H-SLA geared motors are test run and painted with a final coat of high quality green enamel.

C&H gearbox

The Australian made C&H H1, H2 and H3 gearbox ranges are ideally suited for applications requiring ultra low speeds (down to 1 revolution every 5 hours) where extra high torque is not required.

The C&H H1 series gearbox is a 2 to 8 stage spur geared unit with torque limited to 35 Nm.

The C&H H2 series gearbox is a H1 unit with a "torque multiplier" box, ratio 2.78:1, fitted to the output, with torque limit increased to 97 Nm.

The C&H H3 series is a H1 unit with a C&H S2 series single stage helical gearbox, ratio 5:1, fitted to the output, with torque limit increased to 175 Nm.

Gearbox housings and covers are manufactured in F265 grade 14 cast iron. Output shafts are manufactured from C1040 carbon steel and finished to a tolerance of k6, with spigot tolerances to j6.

Gears are designed and tested to A.G.M.A. quality class 10 and produced from alloy steel 8620, case hardened and tempered with the primary gear being of nylon material for quiet running.

Deep groove ball bearings are fitted, designed for an average lifetime of at least 15,000 running hours. C&H H1, H2 and H3 gearboxes are delivered filled with ISO VG320 grade mineral oil (with plugs).

SLA motor (3 phase)

The gearboxes are powered by the CMG low weight SLA 3 phase motor.

It's construction is of high pressure die-cast aluminium offering a very high corrosion protection, and has an enclosure rating of IP 55.

A 0.37 kW 4 pole (1400 r/min nominal) motor is used throughout the range for standardization but output is limited to the maximum torque rating of the gearbox. (See selection data).

MNS motor (1 phase)

A 240 volt CMG MNS series single phase capacitor motor is available as an alternative to the SLA unit. (Please note: MNS motors should be used where high starting torque is not required.)

Brake motors and other special requirements are also available.

FVR variator

In addition to fixed speed units, a variable speed model is available by incorporating the CMG Varvel mechanical variator model FVR071R between a standard motor and any of the CMG C&H spurboxes.

When incorporating the FVR variator output speeds listed in the fixed speed selection data are the maximum speeds with a reduction of 5:1 stepless variation.

Product code specification

When placing an order the gearbox product code, mounting arrangement, and motor code (see page 10) should be specified. The product code of the gearbox is composed in accordance with the following example.

H	G	0	3	0	5	6	8	3	0	7	R	S
1-3	4-5	6	7-9	10-12	13							

Positions 1 to 3

Series

HG0 = C&H spurbox series

HV7 = C&H spurbox with FVR variator

Positions 4 and 5

Gearbox model

10 = H1

20 = H2

30 = H3

Position 6

Number of stages

H1 (2 to 8)

H2 (3 to 9)

H3 (3 to 9)

Positions 7 to 9

Gearbox ratio

For ratios greater than 999:1 an alpha-numeric code is used.

Positions 10 to 12

Gearbox input

07R = 71 frame with reduced shaft (M7813 series motor)

07S = Gearbox unit with the IEC adapter or the FVR variator (suit standard 71 frame motor)

000 = Reducer input (No motor)

Position 13

Mounting type

S = Foot mount

F = Flange mount

Selection data – H1

Fixed speed

Type	r/min	Nm ¹⁾	Output ²⁾ kW	SF	Ratio	Fixed ratio product code
0.37kW	3Ø motor	code M7813D				
	1Ø motor	code M7813F				
H108-71R	0.08	35	0.0003	1.0	17740	HG0108WH707R•
	0.10	35	0.0004	1.0	14900	HG0108WE907R•
	0.11	35	0.0004	1.0	12780	HG0108WC707R•
	0.13	35	0.0005	1.0	11050	HG0108WB107R•
	0.15	35	0.0005	1.0	9650	HG0108W9607R•
	0.17	35	0.0006	1.0	8430	HG0108W8407R•
	0.18	35	0.0007	1.0	7500	HG0108W7507R•
	0.22	35	0.0008	1.0	6650	HG0108W6607R•
H107-71R	0.27	35	0.0010	1.0	5250	HG0107W5207R•
	0.33	35	0.0012	1.0	4440	HG0107W4407R•
	0.38	35	0.0014	1.0	3780	HG0107W3707R•
	0.44	35	0.0016	1.0	3280	HG0107W3207R•
	0.50	35	0.0018	1.0	2860	HG0107U6007R•
	0.58	35	0.0021	1.0	2500	HG0107R0007R•
	0.65	35	0.0024	1.0	2220	HG0107N2007R•
	0.73	35	0.0027	1.0	1970	HG0107K7007R•
H106-71R	0.92	35	0.0034	1.0	1557	HG0106F5707R•
	1.1	35	0.0040	1.0	1310	HG0106D1007R•
	1.2	35	0.0044	1.0	1120	HG0106B2007R•
	1.5	35	0.0055	1.0	970	HG010697007R•
	1.7	35	0.0062	1.0	845	HG010684507R•
	1.9	35	0.0070	1.0	740	HG010674007R•
	2.2	35	0.0081	1.0	650	HG010665007R•
	2.5	35	0.0092	1.0	582	HG010658207R•
H105-71R	3.1	35	0.011	1.0	461	HG010546107R•
	3.7	35	0.014	1.0	389	HG010538907R•
	4.3	35	0.016	1.0	332	HG010533207R•
	5.0	35	0.018	1.0	289	HG010528907R•
	5.7	35	0.021	1.0	252	HG010525207R•
	6.5	35	0.024	1.0	220	HG010522007R•
	7.4	35	0.027	1.0	195	HG010519507R•
	8.3	35	0.030	1.0	173	HG010517307R•
H104-71R	10	35	0.037	1.0	136	HG010413607R•
	12	35	0.044	1.0	115	HG010411507R•
	14	35	0.051	1.0	98.5	HG010409807R•
	16	35	0.059	1.0	85.4	HG010408507R•
	19	35	0.070	1.0	74.5	HG010407407R•
	22	35	0.081	1.0	65.2	HG010406507R•
	25	35	0.092	1.0	57.6	HG010405707R•
	28	35	0.103	1.0	51.3	HG010405107R•
H103-71R	35	35	0.13	1.0	40.5	HG010304007R•
	42	35	0.15	1.0	34.2	HG010303407R•
	50	35	0.18	1.0	29.2	HG010302907R•
	57	35	0.21	1.0	25.3	HG010302507R•
	65	35	0.24	1.0	22.1	HG010302207R•
	74	35	0.27	1.0	19.4	HG010301907R•
	84	35	0.31	1.0	17.1	HG010301707R•
	95	35	0.36	1.0	15.2	HG010301507R•
H102-71R	99	34	0.36	1.0	14.5	HG010201407R•
	120	28	0.36	1.2	12.0	HG010201207R•
	142	24	0.36	1.4	10.1	HG010201007R•
	167	20	0.36	1.7	8.64	HG0102008607R•
	192	18	0.36	1.9	7.50	HG0102007507R•
	220	15	0.36	2.3	6.54	HG0102006507R•
	251	13	0.36	2.7	5.73	HG0102005707R•
	284	12	0.36	2.9	5.07	HG0102005007R•
	320	11	0.36	3.3	4.50	HG0102004507R•
	360	9	0.36	3.7	3.99	HG0102003907R•

¹⁾ Maximum output torque is limited to 35Nm.

²⁾ Calculated output kW, at listed torque.

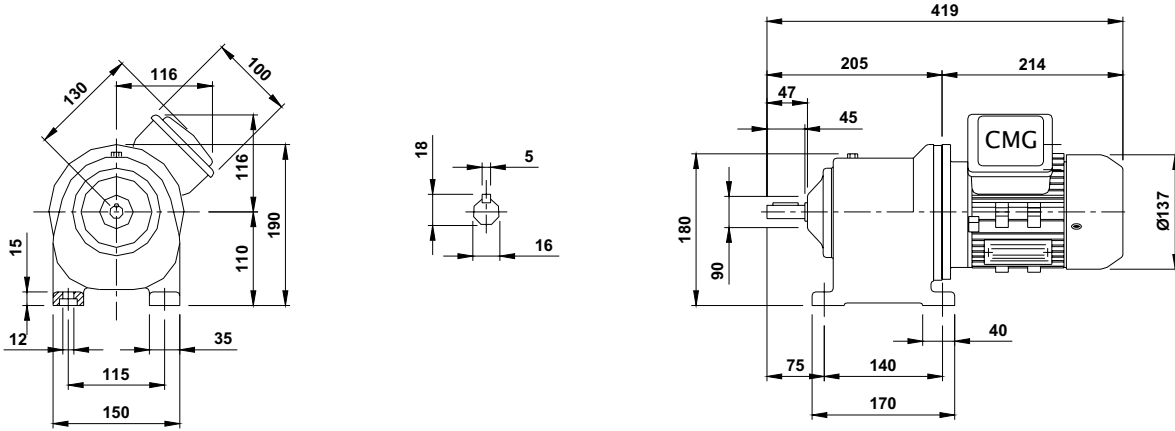
Variable speed

Type	Max r/min	Min r/min	Nm ¹⁾	Variable ratio product code
0.37 kW	3Ø motor	code M34000375SLA		
	1Ø motor	code M24000375MNS		
H108-FVR071R	0.08	0.016	35	HV7108WH707S•
	0.10	0.020	35	HV7108WE907S•
	0.11	0.022	35	HV7108WC707S•
	0.13	0.026	35	HV7108WB107S•
	0.15	0.030	35	HV7108W9607S•
	0.17	0.034	35	HV7108W8407S•
	0.18	0.036	35	HV7108W7507S•
	0.22	0.044	35	HV7108W6607S•
H107-FVR071R	0.27	0.054	35	HV7107W5207S•
	0.33	0.066	35	HV7107W4407S•
	0.38	0.076	35	HV7107W3707S•
	0.44	0.088	35	HV7107W3207S•
	0.50	0.10	35	HV7107U6007S•
	0.58	0.12	35	HV7107R0007S•
	0.65	0.13	35	HV7107N2007S•
	0.73	0.15	35	HV7107K7007S•
H106-FVR071R	0.92	0.18	35	HV7106F5707S•
	1.1	0.22	35	HV7106D1007S•
	1.2	0.24	35	HV7106B2007S•
	1.5	0.30	35	HV710697007S•
	1.7	0.34	35	HV710684507S•
	1.9	0.38	35	HV710674007S•
	2.2	0.44	35	HV710665007S•
	2.5	0.50	35	HV710658207S•
H105-FVR071R	3.1	0.62	35	HV710546107S•
	3.7	0.74	35	HV710538907S•
	4.3	0.86	35	HV710533207S•
	5.0	1.0	35	HV710528907S•
	5.7	1.1	35	HV710525207S•
	6.5	1.3	35	HV710522007S•
	7.4	1.5	35	HV710519507S•
	8.3	1.7	35	HV710517307S•
H104-FVR071R	10	2.0	35	HV710413607S•
	12	2.4	35	HV710411507S•
	14	2.8	35	HV710409807S•
	16	3.2	35	HV710408507S•
	19	3.8	35	HV710407407S•
	22	4.4	35	HV710406507S•
	25	5.0	35	HV710405707S•
	28	5.6	35	HV710405107S•
H103-FVR071R	35	7.0	35	HV710304007S•
	42	8.4	35	HV710303407S•
	50	10	35	HV710302907S•
	57	11	35	HV710302507S•
	65	13	35	HV710302207S•
	74	15	35	HV710301907S•
	84	17	33	HV710301707S•
	95	19	29	HV710301507S•
H102-FVR071R	99	20	28	HV710201407S•
	120	24	23	HV710201207S•
	142	28	20	HV710201007S•
	167	33	17	HV7102008607S•
	192	38	15	HV7102007507S•
	220	44	12	HV7102006507S•
	251	50	11	HV7102005707S•
	284	57	10	HV7102005007S•
	320	64	9	HV7102004507S•
	360	72	8	HV7102003907S•

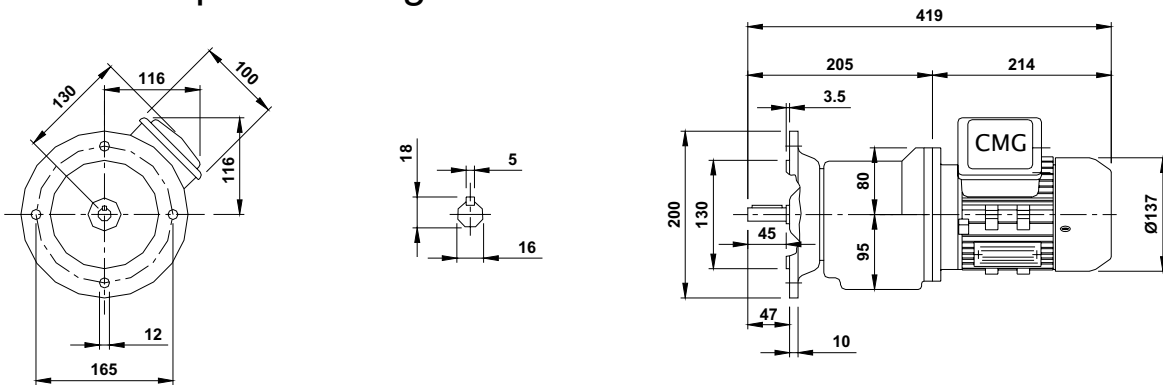
• = Mounting: S = Foot mount, F = Flange mount.

Dimensional drawings – H1 (SLA Motor)

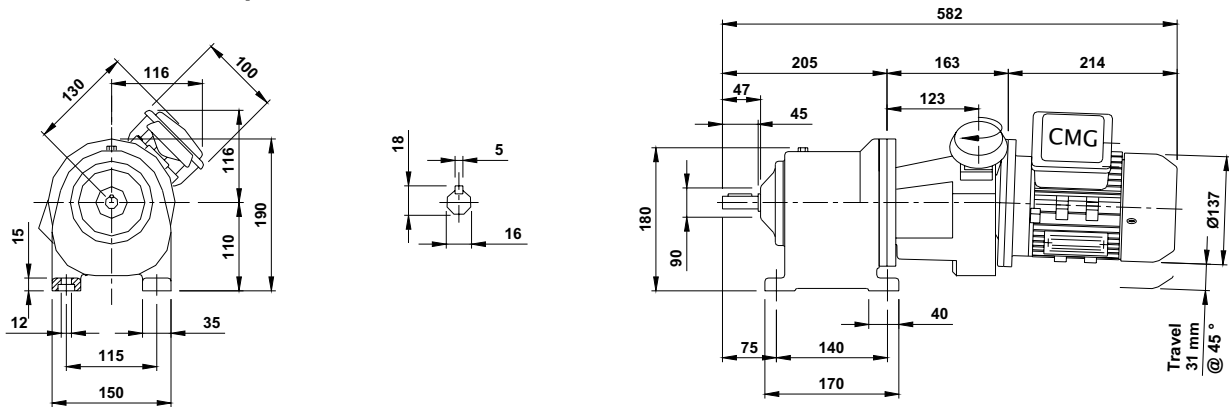
H1 fixed speed -foot mount



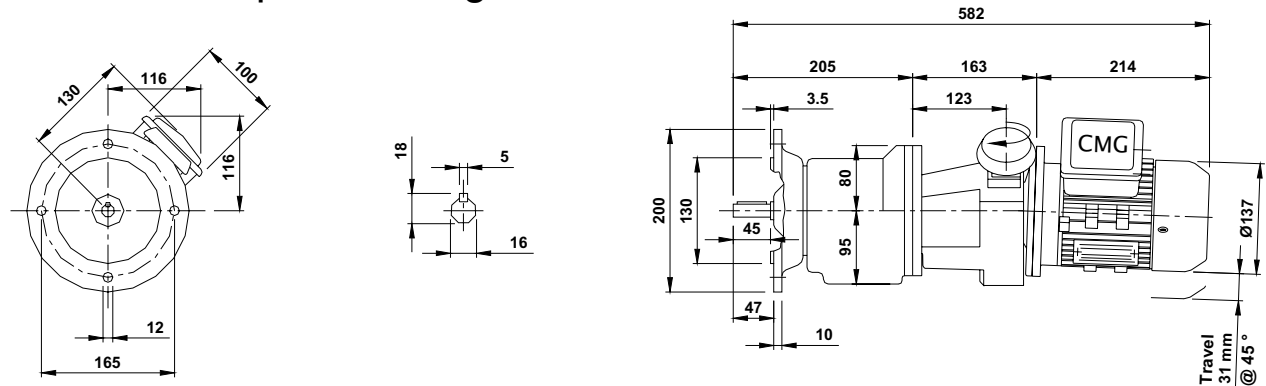
H1 fixed speed - flange mount



H1 variable speed - foot mount



H1 variable speed - flange mount



Selection data – H2

Fixed speed

Type	r/min	Nm ¹⁾	Output ²⁾ kW	SF	Ratio	Fixed ratio ³⁾ product code
0.37kW	3Ø motor	code M7813D				
	1Ø motor	code M7813F				
H209-71R	0.028	97	0.0003	1.0	49317	HG0209X4907RS
	0.034	97	0.0003	1.0	41422	HG0209X4107RS
	0.039	97	0.0004	1.0	35528	HG0209X3507RS
	0.046	97	0.0005	1.0	30719	HG0209X3007RS
	0.052	97	0.0005	1.0	26827	HG0209WS807RS
	0.060	97	0.0006	1.0	23435	HG0209WP407RS
	0.067	97	0.0007	1.0	20850	HG0209WL807RS
	0.076	97	0.0008	1.0	18487	HG0209WJ407RS
H208-71R	0.10	97	0.0010	1.0	14595	HG0208WE507RS
	0.11	97	0.0011	1.0	12343	HG0208WC307RS
	0.13	97	0.0013	1.0	10508	HG0208WA507RS
	0.15	97	0.0015	1.0	9118	HG0208W9107RS
	0.18	97	0.0018	1.0	7951	HG0208W7907RS
	0.20	97	0.0020	1.0	6950	HG0208W6907RS
	0.23	97	0.0023	1.0	6172	HG0208W6107RS
	0.26	97	0.0026	1.0	5477	HG0208W5407RS
H207-71R	0.32	97	0.0033	1.0	4328	HG0207W4307RS
	0.38	97	0.0039	1.0	3642	HG0207W3607RS
	0.45	97	0.0046	1.0	3114	HG0207W3107RS
	0.52	97	0.0053	1.0	2697	HG0207S9707RS
	0.60	97	0.0061	1.0	2349	HG0207P4907RS
	0.68	97	0.0069	1.0	2057	HG0207L5707RS
	0.77	97	0.0078	1.0	1807	HG0207J0707RS
	0.87	97	0.0088	1.0	1618	HG0207G1807RS
H206-71R	1.1	97	0.011	1.0	1282	HG0206C8207RS
	1.3	97	0.013	1.0	1081	HG0206A8107RS
	1.5	97	0.015	1.0	923	HG020692307RS
	1.7	97	0.017	1.0	803	HG020680307RS
	2.0	97	0.020	1.0	701	HG020670107RS
	2.3	97	0.023	1.0	612	HG020661207RS
	2.6	97	0.026	1.0	542	HG020654207RS
	2.9	97	0.029	1.0	481	HG020648107RS
H205-71R	3.7	97	0.038	1.0	379	HG020537907RS
	4.4	97	0.045	1.0	319	HG020531907RS
	5.1	97	0.052	1.0	273	HG020527307RS
	5.9	97	0.060	1.0	237	HG020523707RS
	6.7	97	0.068	1.0	207	HG020520707RS
	7.7	97	0.078	1.0	181	HG020518107RS
	8.7	97	0.088	1.0	160	HG020516007RS
	9.8	97	0.10	1.0	142	HG020514207RS
H204-71R	12	97	0.12	1.0	112	HG020411207RS
	15	97	0.15	1.0	95.1	HG020409507RS
	17	97	0.17	1.0	81.2	HG020408107RS
	20	97	0.20	1.0	70.3	HG020407007RS
	23	97	0.23	1.0	61.3	HG020406107RS
	26	97	0.26	1.0	53.9	HG020405307RS
	29	97	0.29	1.0	47.5	HG020404707RS
	33	95	0.33	1.0	42.3	HG020404207RS
H203-71R	35	95	0.35	1.0	40.3	HG020304007RS
	42	79	0.35	1.2	33.4	HG020303307RS
	50	66	0.35	1.4	28.1	HG020302807RS
	58	57	0.35	1.7	24.0	HG020302407RS
	67	50	0.35	1.9	20.9	HG020302007RS
	77	43	0.35	2.2	18.2	HG020301807RS
	88	38	0.35	2.5	15.9	HG020301507RS
	99	34	0.35	2.8	14.1	HG020301407RS
	112	29	0.34	3.3	12.5	HG020301207RS
	126	26	0.34	3.7	11.1	HG020301107RS

¹⁾ Maximum output torque is limited to 97Nm.

²⁾ Calculated output kW, at listed torque.

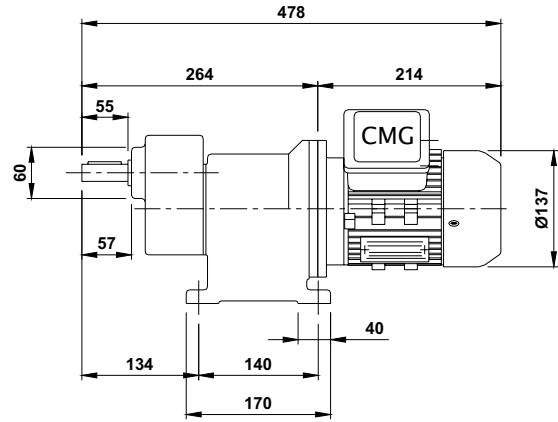
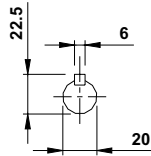
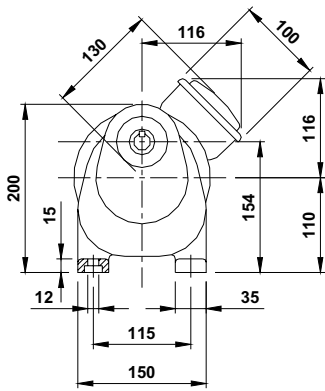
Variable speed

Type	Max r/min	Min r/min	Nm ¹⁾	Variable ratio ³⁾ product code
0.37 kW	3Ø motor	code M34000375SLA		
	1Ø motor	code M24000375MNS		
H209-FVR071R	0.028	0.0056	97	HV7209X4907SS
	0.034	0.0068	97	HV7209X4107SS
	0.039	0.0078	97	HV7209X3507SS
	0.046	0.0092	97	HV7209X3007SS
	0.052	0.0104	97	HV7209WS807SS
	0.060	0.0120	97	HV7209WP407SS
	0.067	0.0134	97	HV7209WL807SS
	0.076	0.0152	97	HV7209WJ407SS
H208-FVR071R	0.096	0.0192	97	HV7208WE507SS
	0.11	0.022	97	HV7208WC307SS
	0.13	0.026	97	HV7208WA507SS
	0.15	0.030	97	HV7208W9107SS
	0.18	0.036	97	HV7208W7907SS
	0.20	0.040	97	HV7208W6907SS
	0.23	0.046	97	HV7208W6107SS
	0.26	0.052	97	HV7208W5407SS
H207-FVR071R	0.32	0.064	97	HV7207W4307SS
	0.38	0.076	97	HV7207W3607SS
	0.45	0.090	97	HV7207W3107SS
	0.52	0.10	97	HV7207S9707SS
	0.60	0.12	97	HV7207P4907SS
	0.68	0.14	97	HV7207L5707SS
	0.77	0.15	97	HV7207J0707SS
	0.87	0.17	97	HV7207G1807SS
H206-FVR071R	1.1	0.22	97	HV7206C8207SS
	1.3	0.26	97	HV7206A8107SS
	1.5	0.30	97	HV720692307SS
	1.7	0.34	97	HV720680307SS
	2.0	0.40	97	HV720670107SS
	2.3	0.46	97	HV720661207SS
	2.6	0.52	97	HV720654207SS
	2.9	0.58	97	HV720648107SS
H205-FVR071R	3.7	0.74	97	HV720537907SS
	4.4	0.88	97	HV720531907SS
	5.1	1.0	97	HV720527307SS
	5.9	1.2	97	HV720523707SS
	6.7	1.3	97	HV720520707SS
	7.7	1.5	97	HV720518107SS
	8.7	1.7	97	HV720516007SS
	9.8	2.0	97	HV720514207SS
H204-FVR071R	12	2.4	97	HV720411207SS
	15	3.0	97	HV720409507SS
	17	3.4	97	HV720408107SS
	20	4.0	97	HV720407007SS
	23	4.6	97	HV720406107SS
	26	5.2	97	HV720405307SS
	29	5.8	95	HV720404707SS
	33	6.6	79	HV720404207SS
H203-FVR071R	35	7.0	79	HV720304007SS
	42	8.4	66	HV720303307SS
	50	10	55	HV720302807SS
	58	12	47	HV720302407SS
	67	13	42	HV720302007SS
	77	15	36	HV720301807SS
	88	18	32	HV720301507SS
	99	20	28	HV720301407SS
	112	22	24	HV720301207SS
	126	25	22	HV720301107SS

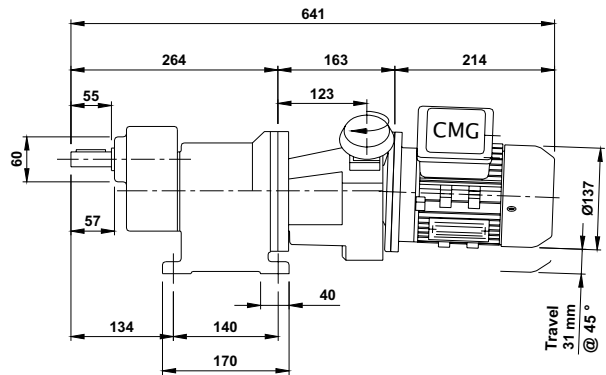
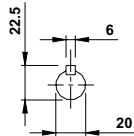
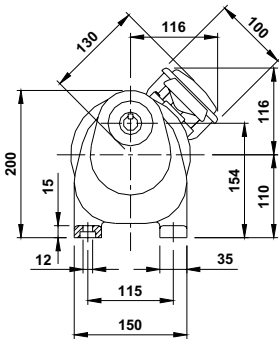
³⁾ Only foot mount available.

Dimensional drawings – H2 (SLA Motor)

H2 fixed speed - foot mount



H2 variable speed - foot mount



Selection data – H3

Fixed speed

Type	r/min	Nm ¹⁾	Output ²⁾ kW	SF	Ratio	Fixed ratio product code
0.37kW	3Ø motor	code M7813D				
	1Ø motor	code M7813F				
H309-71R	0.016	175	0.0003	1.0	88700	HG0309X8807R•
	0.019	175	0.0003	1.0	74500	HG0309X7407R•
	0.022	175	0.0004	1.0	63900	HG0309X6307R•
	0.025	175	0.0005	1.0	55250	HG0309X5507R•
	0.029	175	0.0005	1.0	48250	HG0309X4807R•
	0.033	175	0.0006	1.0	42150	HG0309X4207R•
	0.037	175	0.0007	1.0	37500	HG0309X3707R•
	0.042	175	0.0008	1.0	33250	HG0309X3307R•
H308-71R	0.053	175	0.0010	1.0	26250	HG0308WS207R•
	0.063	175	0.0012	1.0	22200	HG0308WN207R•
	0.074	175	0.0014	1.0	18900	HG0308WJ907R•
	0.085	175	0.0016	1.0	16400	HG0308WG407R•
	0.097	175	0.0018	1.0	14300	HG0308WE307R•
	0.11	175	0.0020	1.0	12500	HG0308WC507R•
	0.13	175	0.0024	1.0	11100	HG0308WB107R•
	0.14	175	0.0026	1.0	9850	HG0308W9807R•
H307-71R	0.18	175	0.0033	1.0	7785	HG0307W7707R•
	0.21	175	0.0038	1.0	6550	HG0307W6507R•
	0.25	175	0.0046	1.0	5600	HF0307W5607R•
	0.29	175	0.0053	1.0	4850	HG0307W4807R•
	0.33	175	0.0060	1.0	4225	HG0307W4207R•
	0.38	175	0.0070	1.0	3700	HG0307W3707R•
	0.43	175	0.0079	1.0	3250	HG0307W3207R•
	0.48	175	0.0088	1.0	2910	HG0307V1007R•
H306-71R	0.61	175	0.011	1.0	2305	HG0306P0507R•
	0.72	175	0.013	1.0	1945	HG0306K4507R•
	0.84	175	0.015	1.0	1660	HG0306G6007R•
	0.97	175	0.018	1.0	1445	HG0306E4507R•
	1.1	175	0.020	1.0	1260	HG0306C6007R•
	1.3	175	0.024	1.0	1100	HG0306B0007R•
	1.4	175	0.026	1.0	975	HG030697507R•
	1.6	175	0.029	1.0	865	HG030686507R•
H305-71R	2.1	175	0.038	1.0	683	HG030568307R•
	2.4	175	0.044	1.0	575	HG030557507R•
	2.8	175	0.051	1.0	493	HG030549307R•
	3.3	175	0.060	1.0	427	HG030542707R•
	3.8	175	0.070	1.0	373	HG030537307R•
	4.3	175	0.079	1.0	326	HG030532607R•
	4.9	175	0.090	1.0	288	HG030528807R•
	5.4	175	0.099	1.0	257	HG030525707R•
H304-71R	6.9	175	0.13	1.0	203	HG030420307R•
	8.2	175	0.15	1.0	171	HG030417107R•
	9.6	175	0.18	1.0	146	HG030414607R•
	11	175	0.20	1.0	127	HG030412707R•
	13	175	0.24	1.0	110	HG030411007R•
	14	175	0.26	1.0	97.0	HG030409707R•
	16	175	0.29	1.0	85.0	HG030408507R•
	18	175	0.33	1.0	76.0	HG030407607R•
H303-71R	19	175	0.35	1.0	72.5	HG030307207R•
	23	144	0.35	1.2	60.0	HG030306007R•
	28	119	0.35	1.4	50.6	HF030305007R•
	32	104	0.35	1.6	43.2	HG030304307R•
	37	89	0.34	1.9	37.5	HG030303707R•
	43	77	0.35	2.2	32.7	HG030303207R•
	49	67	0.34	2.6	28.7	HG030302807R•
	55	60	0.35	2.9	25.9	HG030302507R•
	62	53	0.34	3.3	22.5	HG030302207R•
	70	47	0.34	3.7	19.9	HG030301907R•

¹⁾ Maximum output torque is limited to 175Nm.

²⁾ Calculated output kW, at listed torque.

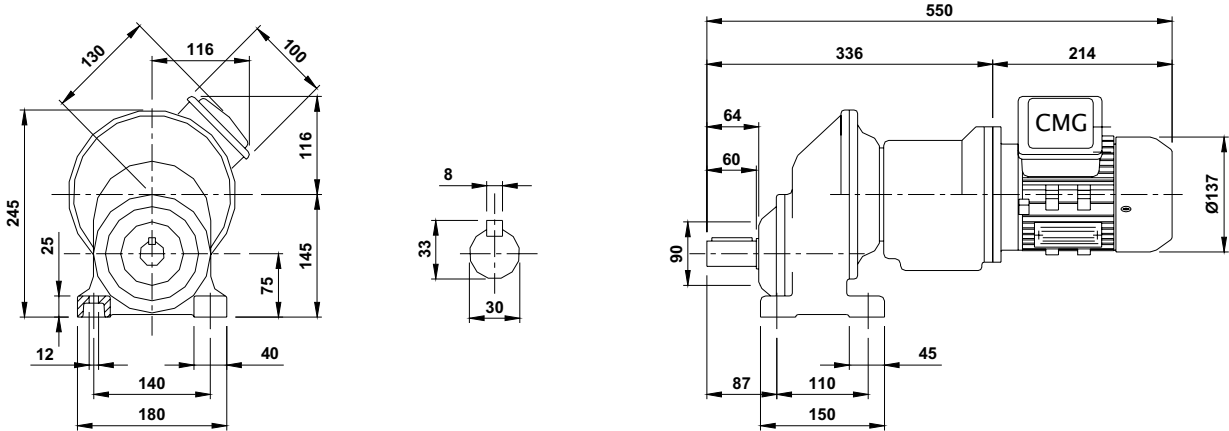
Variable speed

Type	Max r/min	Min r/min	Nm ¹⁾	Variable ratio product code
0.37 kW	3Ø motor	code M34000375SLA		
	1Ø motor	code M24000375MNS		
H309FVR071R	0.016	0.0032	175	HV7309X8807S•
	0.019	0.0038	175	HV7309X7407S•
	0.022	0.0044	175	HV7309X6307S•
	0.025	0.0050	175	HV7309X5507S•
	0.029	0.0058	175	HV7309X4807S•
	0.033	0.0066	175	HV7309X4207S•
	0.037	0.0074	175	HV7309X3707S•
	0.042	0.0084	175	HV7309X3307S•
H308-FVR071R	0.053	0.011	175	HV7308WS207S•
	0.063	0.013	175	HV7308WN207S•
	0.074	0.015	175	HV7308WJ907S•
	0.085	0.017	175	HV7308WG407S•
	0.097	0.019	175	HV7308WE307S•
	0.11	0.022	175	HV7308WC507S•
	0.13	0.026	175	HV7308WB107S•
	0.14	0.028	175	HV7308W9807S•
H307-FVR071R	0.18	0.036	175	HV7307W7707S•
	0.21	0.042	175	HV7307W6507S•
	0.25	0.050	175	HV7307W5607S•
	0.29	0.058	175	HV7307W4807S•
	0.33	0.066	175	HV7307W4207S•
	0.38	0.076	175	HV7307W3707S•
	0.43	0.086	175	HV7307W3207S•
	0.48	0.096	175	HV7307V1007S•
H306-FVR071R	0.61	0.12	175	HV7306P0507S•
	0.72	0.14	175	HV7306K4507S•
	0.84	0.17	175	HV7306G6007S•
	0.97	0.19	175	HV7306E4507S•
	1.1	0.22	175	HV7306C6007S•
	1.3	0.26	175	HV7306B0007S•
	1.4	0.28	175	HV730697507S•
	1.6	0.32	175	HV730686507S•
H305-FVR071R	2.1	0.42	175	HV730568307S•
	2.4	0.48	175	HV730557507S•
	2.8	0.56	175	HV730549307S•
	3.3	0.66	175	HV730542707S•
	3.8	0.76	175	HV730537307S•
	4.3	0.86	175	HV730532607S•
	4.9	0.98	175	HV730528807S•
	5.4	1.1	175	HV730525707S•
H304-FVR071R	6.9	1.4	175	HV730420307S•
	8.2	1.6	175	HV730417107S•
	9.6	1.9	175	HV730414607S•
	11	2.2	175	HV730412707S•
	13	2.6	175	HV730411007S•
	14	2.8	175	HV730409707S•
	16	3.2	170	HV730408507S•
	18	3.6	145	HV730407607S•
H303-FVR071R	19	3.8	145	HV730307207S•
	23	4.6	120	HV730306007S•
	28	5.6	99	HV730305007S•
	32	6.4	86	HV730304307S•
	37	7.4	74	HV730303707S•
	43	8.6	64	HV730303207S•
	49	9.8	56	HV730302807S•
	55	11	50	HV730302507S•
	62	12	44	HV730302207S•
	70	14	39	HV730301907S•

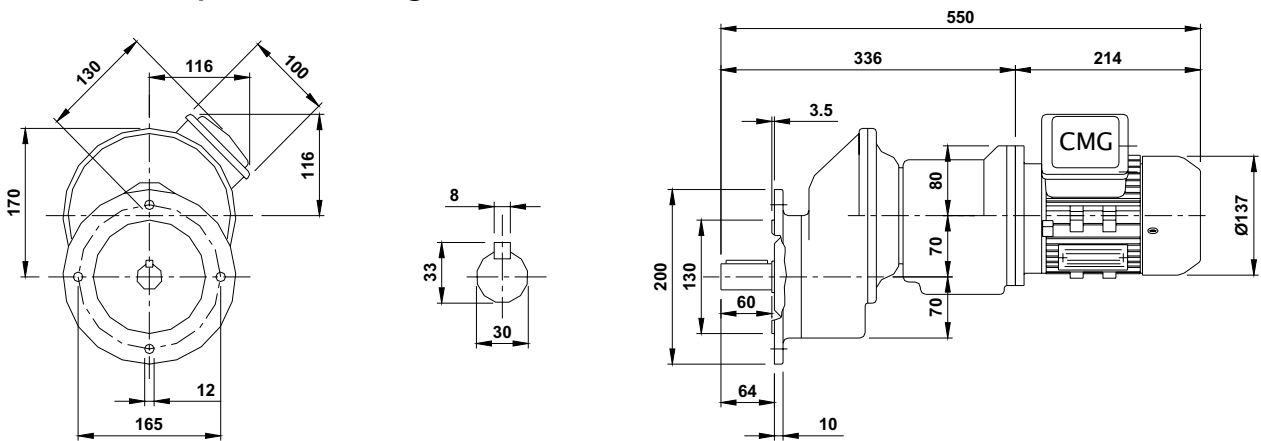
• = Mounting: S = Foot mount, F = Flange mount.

Dimensional drawings – H3 (SLA motor)

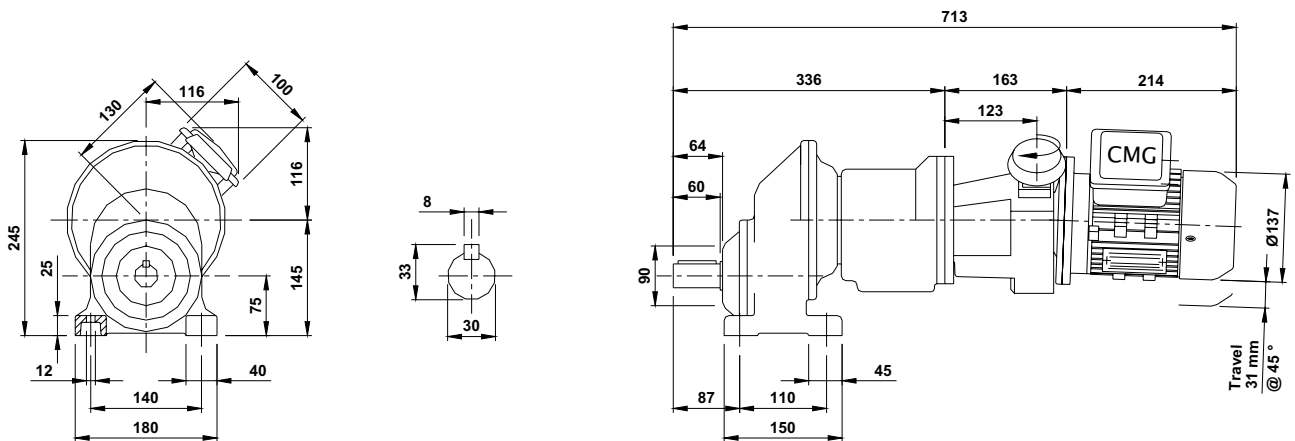
H3 fixed speed - foot mount



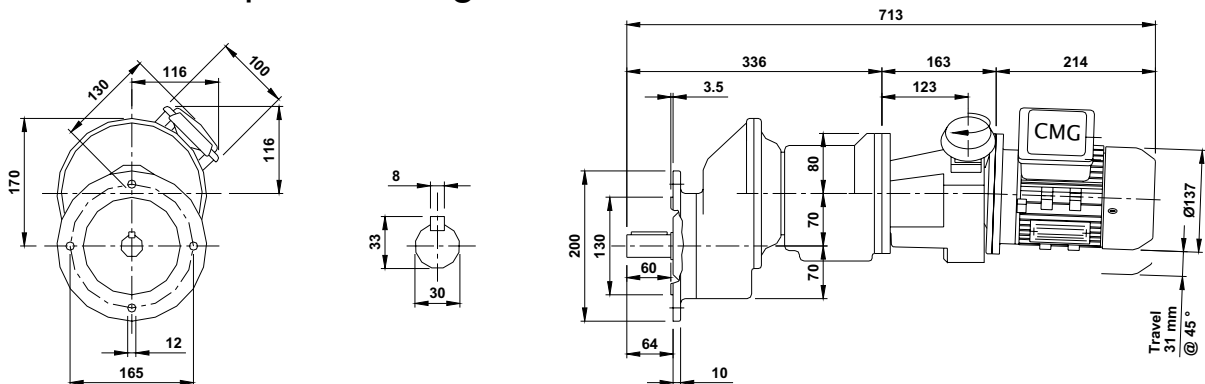
H3 fixed speed - flange mount



H3 variable speed - foot mount



H3 variable speed - flange mount



Motor data

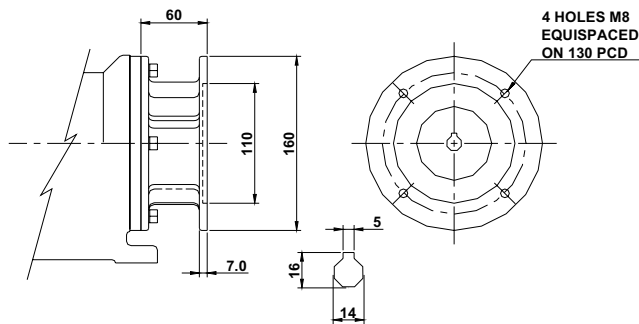
Code	Series	To suit	kW	Poles	Phase/Volts	r/min	Full load current [A]	Mounting / Flange type	Shaft details
M7813D	SLA	HG0	0.37	4	3 / 415	1350	1.0	B5 – D71	Reduced shaft with oilseal
M7813F	MNS	HG0	0.37	4	1 / 240	1380	3.2	B5 – D71	Reduced shaft with oilseal
M34000375SLA	SLA	HV7	0.37	4	3 / 415	1350	1.0	B5 – D71	Standard shaft, no oilseal
M24000375MNS	MNS	HV7	0.37	4	1 / 240	1380	3.2	B5 – D71	Standard shaft, no oilseal

Gearbox data

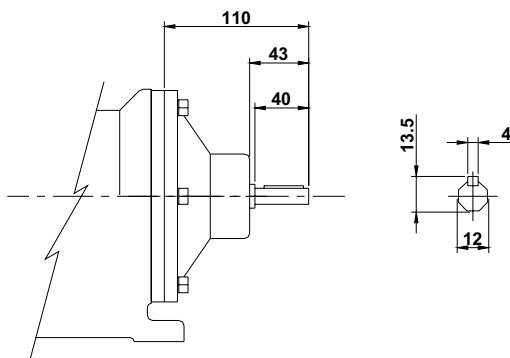
Model	Torque [Nm]	Overhung Load Capacity ¹⁾ [N]	Dry weight [kg]		
			Gearbox only	Gearmotor fixed speed	Gearmotor variable speed
H1	35	567	16	22	28
H2	97	950	19	25	31
H3	175	2540	29	35	41

¹⁾ Overhung load capacity measured at mid-point of output shaft.

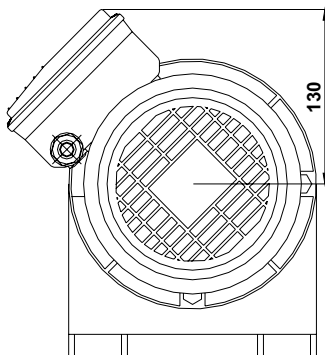
IEC input option



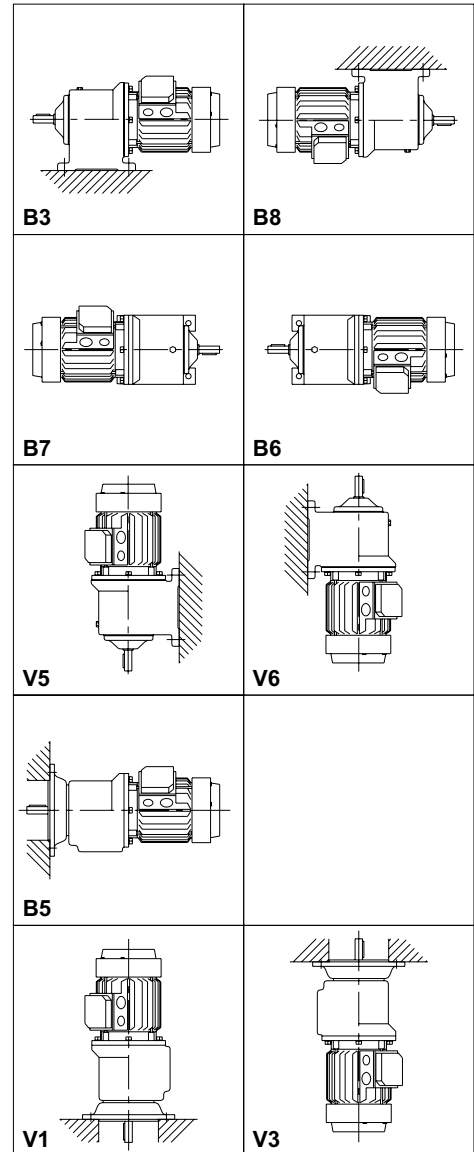
Free input shaft



Single phase motor dimensions

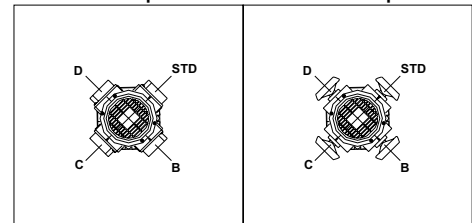


Mounting arrangements



Terminal box position

Variator wheel position



**HEAD OFFICE:
CMG PTY LTD**

ABN 15 248 126 938
19 Corporate Avenue, Rowville VIC 3178
P.O. Box 2340 Rowville VIC 3178
Ph: (03) 9237 4000 Fax: (03) 9237 4010

VICTORIAN SALES OFFICE

19 Corporate Avenue, Rowville VIC 3178
Ph: (03) 9237 4040 Fax: (03) 9237 4050

WESTERN AUSTRALIAN SALES OFFICE

Unit 2, 9 Noble Street
Kewdale WA 6105
Ph: (08) 9353 5600 Fax: (08) 9353 2244

SOUTH AUSTRALIAN SALES OFFICE

2/24 Richard Street, Hindmarsh SA 5007
Ph: (08) 8340 8333 Fax: (08) 8340 8800

TASMANIAN SALES OFFICE

112 Tarleton Street, East Devonport TAS 7310
Ph: (03) 6427 9911 Fax: (03) 6427 9922

Sales 📞 **1300 888 853**

QUEENSLAND SALES OFFICE

2/6 Overlord Place, Acacia Ridge QLD 4110
Ph: (07) 3273 5366 Fax: (07) 3273 5877

NORTH QUEENSLAND SALES OFFICE

Cnr. John Vella Drive & Connors Road,
Paget, Mackay NQLD 4740
Ph: (07) 4952 6244 Fax: (07) 4952 6277

NEW SOUTH WALES SALES OFFICE

8/26 Powers Road, Seven Hills NSW 2147
Ph: (02) 9674 1555 Fax: (02) 9674 4652

NORTHERN TERRITORY SALES OFFICE

24 Benison Road Winnellie NT 0821
Ph: (08) 8947 2633 Fax: (08) 8947 1499

www.cmgroup.com.au

CMG Electric Motors (NZ) Ltd

AUCKLAND SALES OFFICE

2 Ross Reid Place, East Tamaki, Auckland
P.O. Box 58-864 Greenmount
Ph: (09) 273 9162 Fax: (09) 273 9062

CHRISTCHURCH SALES OFFICE

254 Annex Road, Middleton, Christchurch
Ph: (03) 963 1640 Fax: (03) 963 1642

Sales Support 📞 **0800 676 722**

www.cmgroup.co.nz

CMG Electric Motors (UK) Ltd

Unit 1 C1 Hortonpark Industrial Estate
Hortonwood 7, Telford, Shropshire TF17GP, UK
Ph: 01952 602 950 Fax: 01952 602 959

www.cmduk.co.uk

CMG Electric Motors (SA) Pty Ltd

DURBAN SALES OFFICE

Unit 2, Monejupaul Park, 26 Aloefield Crescent,
Springfield Park 4091
P O Box 229, Hyper by the Sea, Durban 4053
Ph: 027 31 579 1437 Fax: 027 31 579 1439

JOHANNESBURG SALES OFFICE

212 Albert Amon Road, Millennium Business Park,
Meadowdale, Johannesburg 1609
Ph: 027 11 453 1930 Fax: 027 11 453 9560

www.cmduk.co.za

CMG

m o t o r s

t r a n s m i s s i o n

d r i v e s

t e c h n o l o g y

CMG Products are sold and recommended by: